



# BI-FOLDING DOOR



PRODUCT  
SPECIFICATION GUIDE



# BI-FOLDING DOOR

## Specification and dimensions

### Slim, beautiful sightlines

- Attractive, slim-line profiles with industry leading sightlines.
- Low profile integrated threshold as standard.
- Concealed slavelock actuator for un-cluttered aesthetics (French door arrangement).
- Slim, aluminium adjustable trickle air vents, colour matched to standard colour range.

### Fast & easy installation

- Patented clip-in internal glazing beads, the only aluminium clip-in bead which can be removed quickly without damaging the paint finish. Wedge gasket not required, cutting down on installation time.
- The door is pre-assembled and ready to glaze, easy build kit-form option.
- Pre-assembled panels are fabricated using strong, bonded and crimped mitred corners.
- Well thought out packaging with compartmentalised installation parts box.

### Strong and secure

- Fuhr hook locking mechanism with 'lift-up' to lock handle and adjustable, one-piece keep.
- 5 or 7 traffic door locking points. (2 extra shootbolts when sash taller than 2260mm)
- Yale 3 star kite-marked cylinder as standard.
- Anti-backdrive secondary shoot-bolt locking on folding doors with fibre reinforced guides.
- Low angle folding door shootbolt handle requiring only 120° of rotation. Secure even if left unlocked.
- Stainless-steel fixings, rails, hardened wheels and articulated sealed rail bearings for class leading rolling smoothness and long life.

### Thermally efficient

- Wide polyamide thermal breaks and fully thermally broken profiles and locking mechanisms.
- High performance QLon, EPDM and sealed brush-pile weather seals.

### Performance

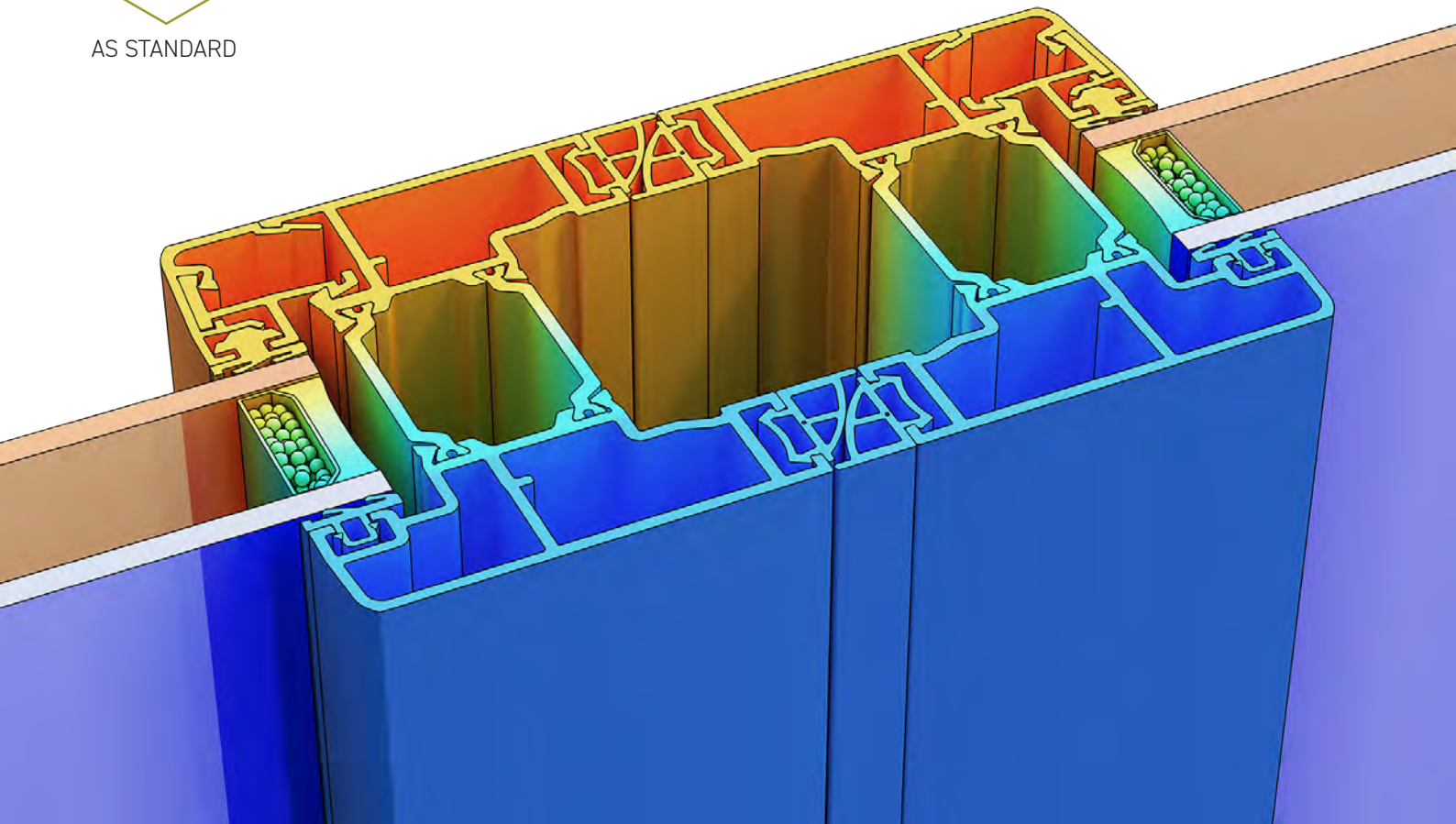
- U Value : from 1.5 W/m<sup>2</sup>K
- Air permeability : class 2, 300Pa
- Water tightness : 7A
- Resistance to wind load : 1200Pa
- Document L compliant
- PAS 24:2016 enhanced security rated
- BS 6375 compliant
- Passed 50,000 traffic door + 10,000 folding cycles

### Dimensions

- Frame depth 84mm
- Sash depth 75mm
- Glass 28mm double glazed units
- Max height: 2500mm (per sash)
- Max width 1250mm (per sash)
- Max sash weight: 120kg



AS STANDARD







# BI-FOLDING DOOR

## Colours

- Single or dual colour, marine quality polyester powder coat as standard.
- Matching, weather tested Korniche hardware in a range of finishes.
- Matching door magnet stops, trickle vents and end caps in standard range of colours.



White : RAL9910 (gloss)



Black : RAL9005 (matt)



Grey : RAL7016 (matt)



Grey : RAL7016 outer (matt)  
White : RAL9910 inner (gloss)



Bespoke RAL colour  
availability (gloss, satin or matt)



White : RAL9910 (gloss)



Black : RAL9005 (matt)



Grey : RAL7016 (matt)



Polished chrome finish



Brushed stainless  
steel finish



Matching shoot bolt  
on all colours



# BI-FOLDING DOOR

## Glass

### High efficiency IGU (insulated glass units)

- Unit size : 28mm (4mm glass + 20mm spacer + 4mm glass)

#### Various glass options including :

- Planitherm total plus  
(Low-E glass, warm edge spacer, argon filled)  
(SF75 U value : 1.22 Wm<sup>2</sup>/K)
- Planitherm one  
(Low-E Glass, Warm Edge Spacer, Argon Filled)  
(SF75 U Value : 1.0 Wm<sup>2</sup>/K)

### Low-E glass coatings

- Solar emissivity as low as 0.05
- Solar heat gain coefficient (g-value) down to 0.14

"Low-E coatings minimize the amount of ultraviolet and infrared light that can pass through without compromising the amount of visible light that is transmitted. When heat or light energy is absorbed by glass, it is shifted away by re-radiating outward from the glass surface."

### Warm edge spacer technology

- Up to 2dB lower noise transmission
- Reduced condensation by up to 70%
- Tested down to -45°C and up to 85°C

"Warm edge technology has radically changed the window market by significantly improving thermal performance to reduce thermal conductivity, lower heat loss and improve energy efficiency."

Specifications subject to change. Other glass options available including laminated

## Components



Folding door shootbolt key



Yale 3 star locking barrel

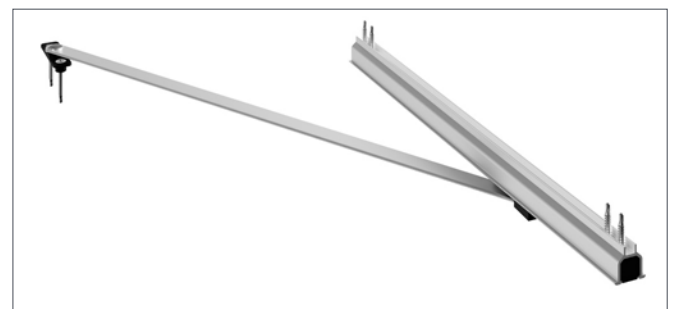
Yale 3 star key



Magnetic catch



Matching adjustable aluminium trickle vent - 2500mm<sup>2</sup>



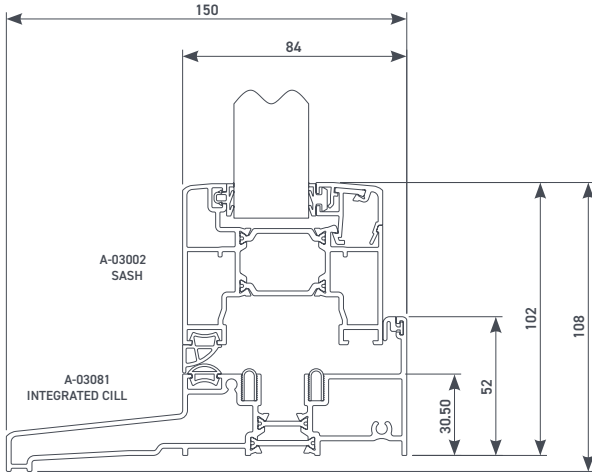
High strength traffic door restrictor mechanism



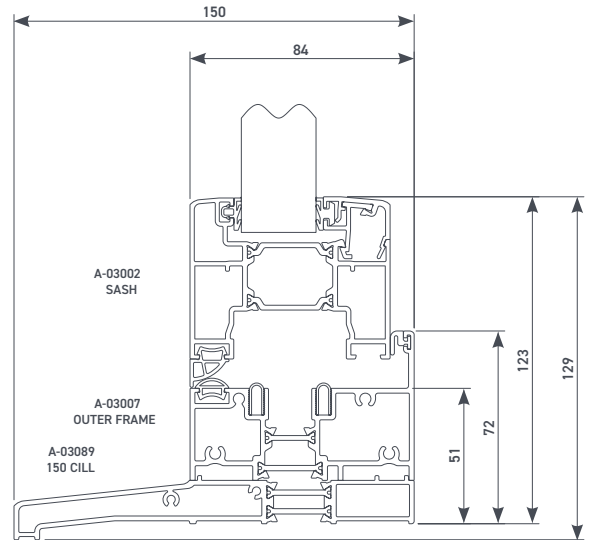
**KORNICHE**

# BI-FOLDING DOOR PROFILE INFORMATION

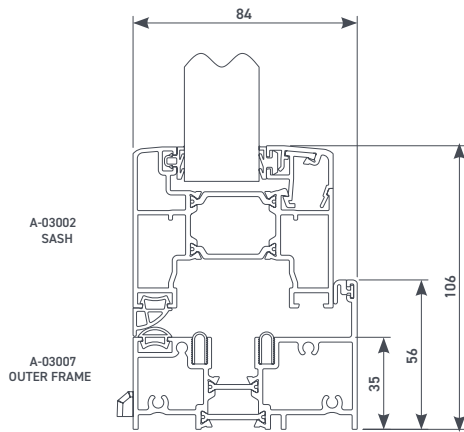
## Dimensions



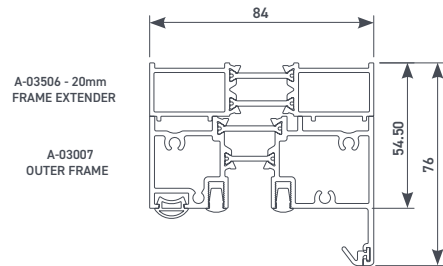
**Integrated cill with sash profile**



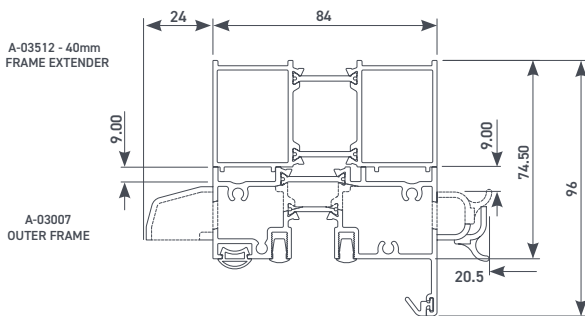
**150mm cill with outer frame & sash profile**



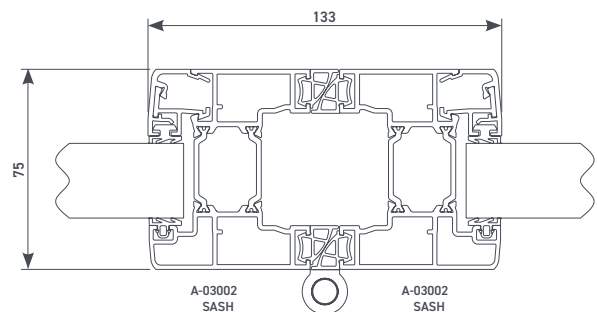
**Standard outer frame with face drain**



**Standard outer frame with 20mm extender**



**Standard outer frame with 40mm extender & trickle vent**



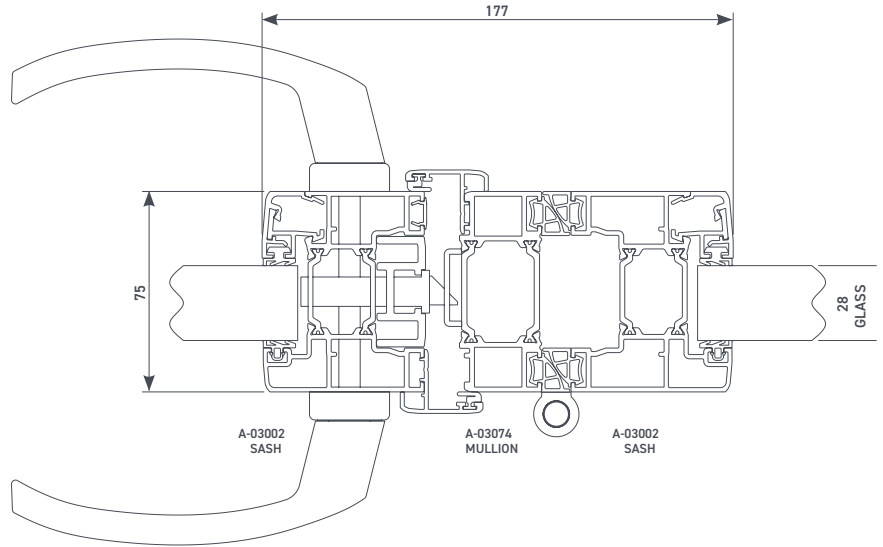
**Sash to sash**



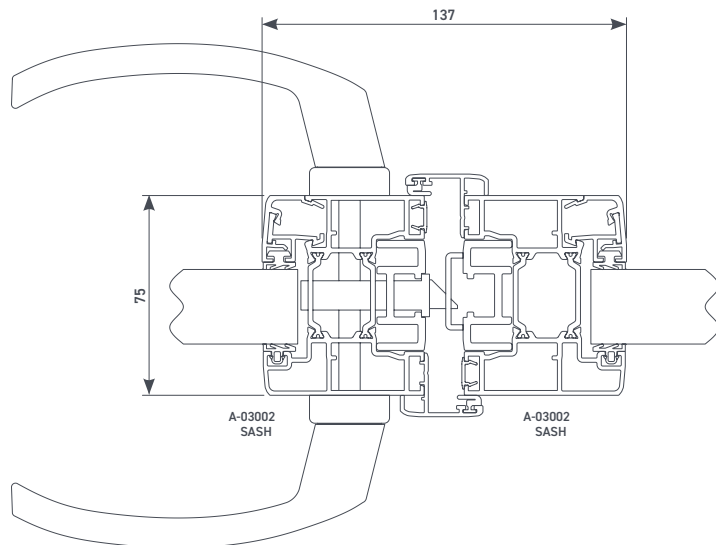
# BI-FOLDING DOOR PROFILE INFORMATION

## Dimensions

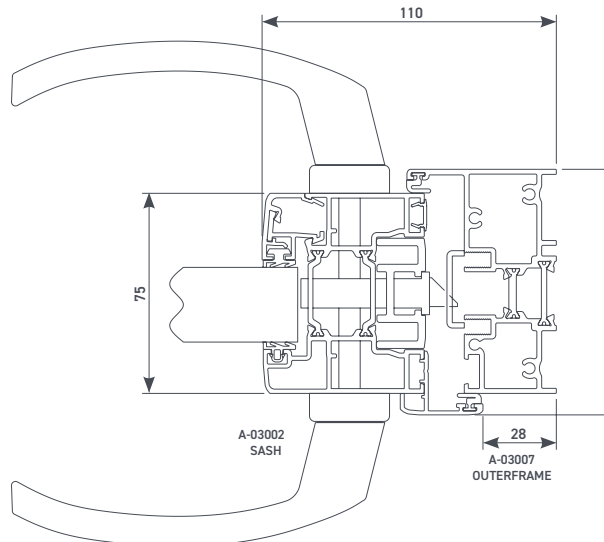
Traffic door connecting to sliding mullion



Traffic door to slave door (french door arrangement)



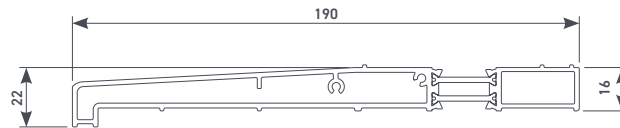
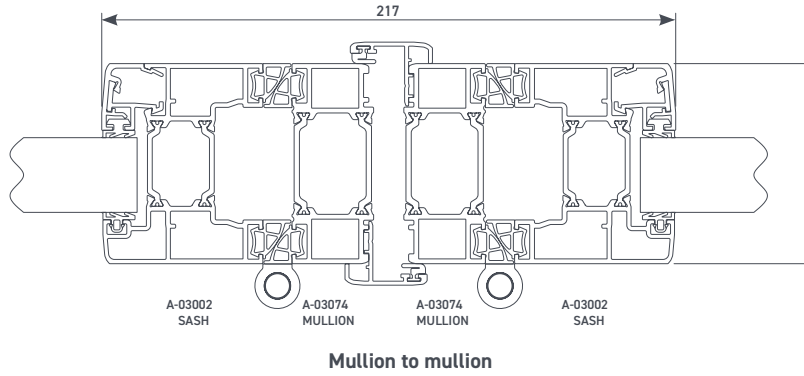
Traffic door to outer frame



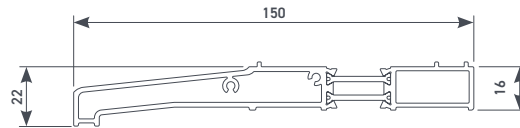


# BI-FOLDING DOOR PROFILE INFORMATION

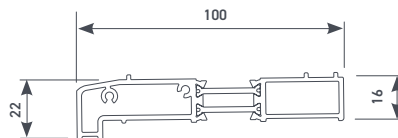
## Dimensions



**A-03090 - 190mm cill**



**A-03089 - 150mm cill**



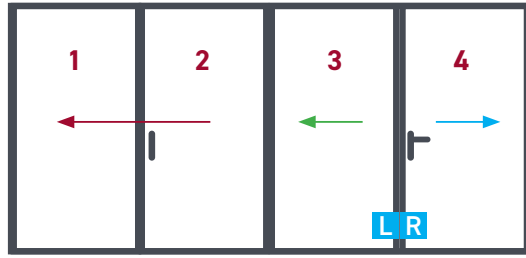
**A-03088 - 100mm cill**



# BI-FOLDING DOOR CONFIGURATIONS

## Outside View

### Door style key



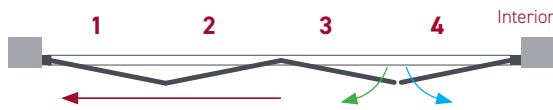
Folding doors

Slave door

Traffic door

Traffic door can be on the left or right

### Opening out door set

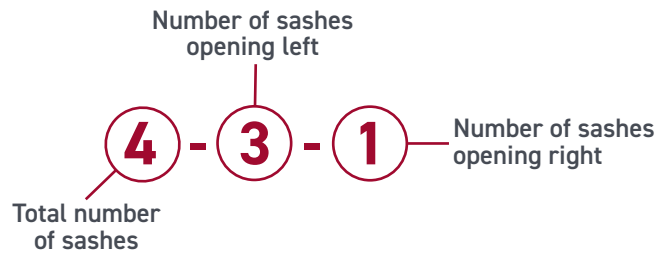


### Opening in door set

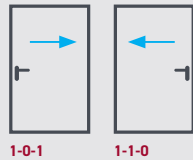


## Viewed outside

### Configuration numbers explained

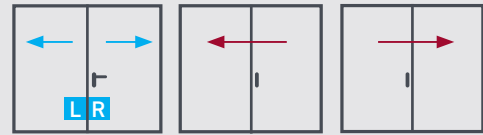


### Single door



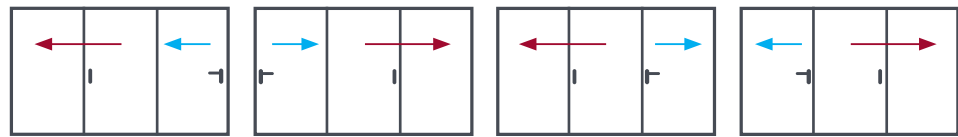
1-0-1      1-1-0

### Two door



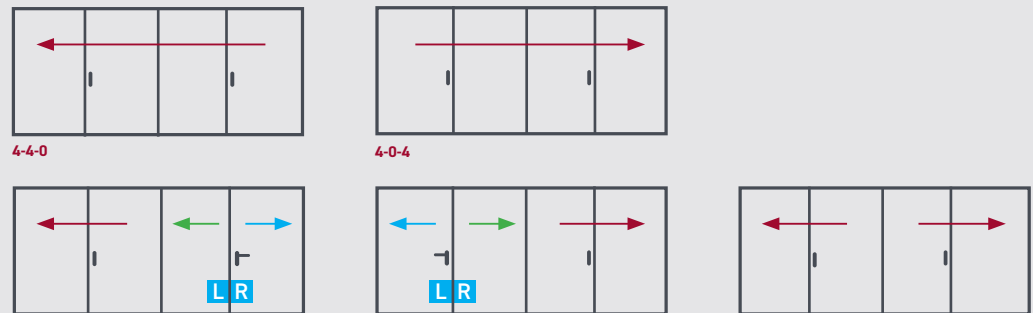
2-1-1      2-2-0      2-0-2

### Three door



3-3-0      3-0-3      3-2-1      3-1-2

### Four door



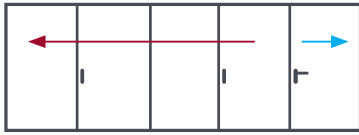
4-4-0      4-0-4      4-3-1      4-1-3      4-2-2



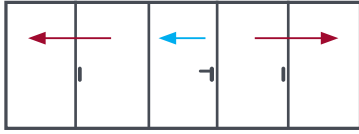
Five door



5-5-0



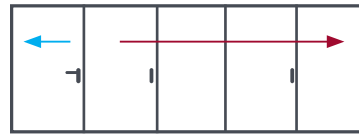
5-4-1



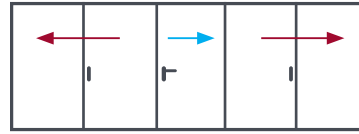
5-3-2



5-0-5

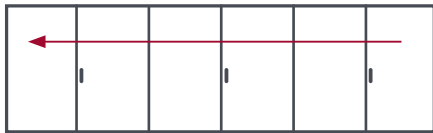


5-1-4



5-2-3

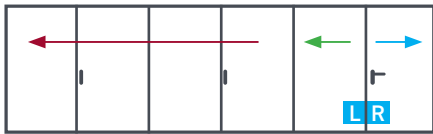
Six door



6-6-0



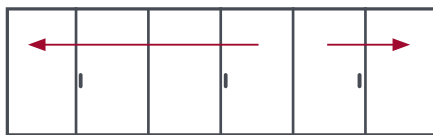
6-0-6



6-5-1



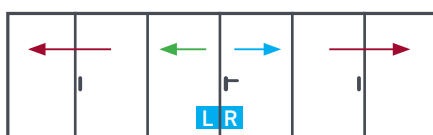
6-1-5



6-4-2

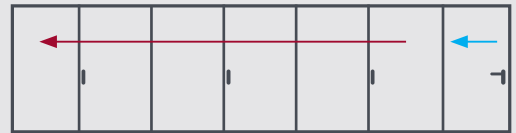


6-2-4



6-3-3

Seven door



7-7-0



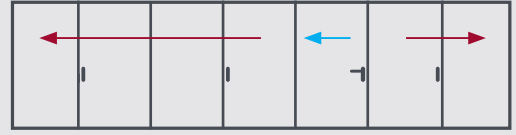
7-0-7



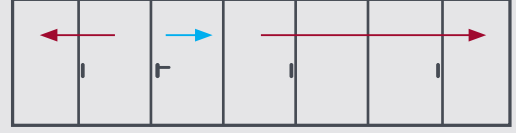
7-6-1



7-1-6



7-5-2



7-2-5



7-4-3

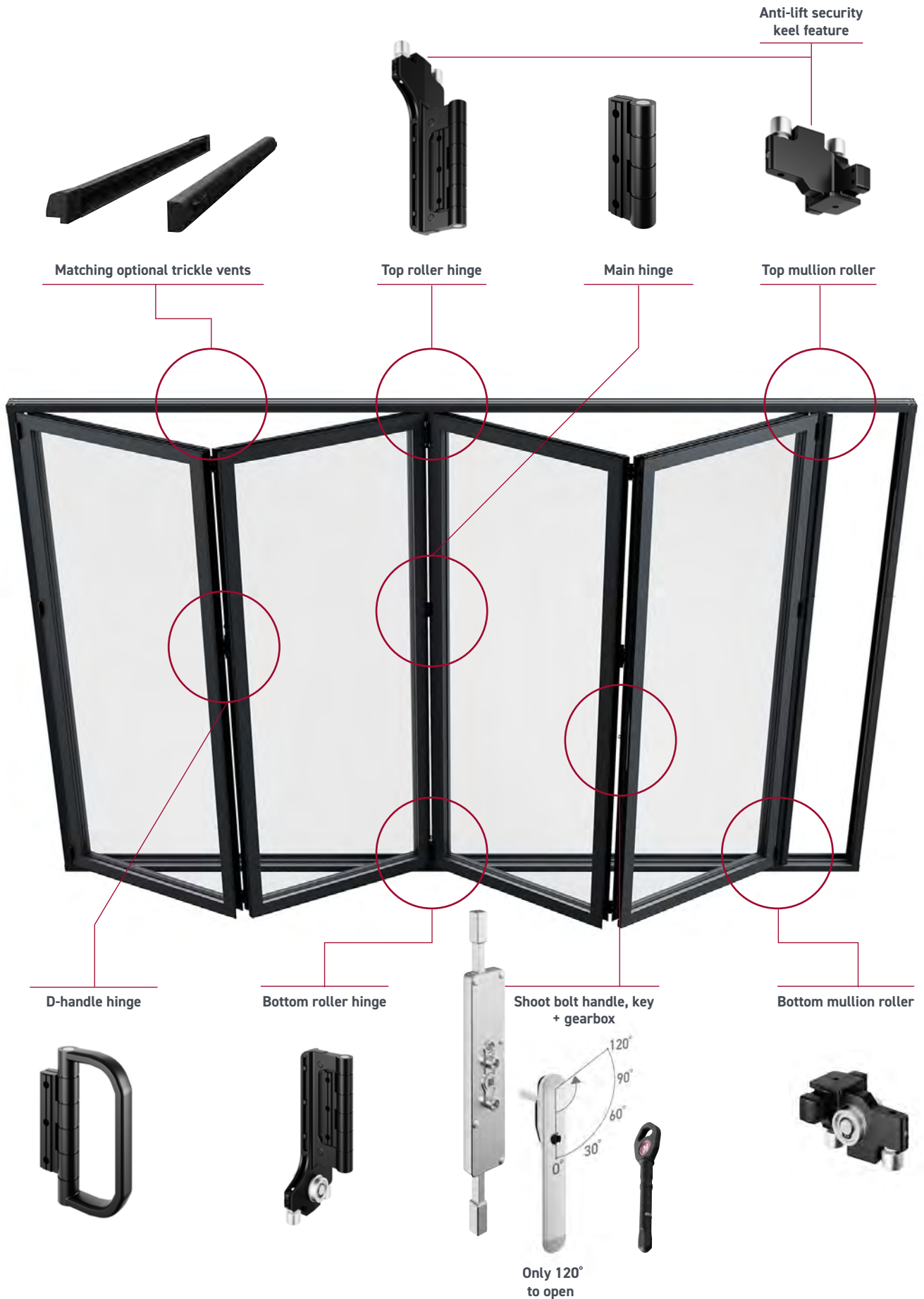


7-3-4



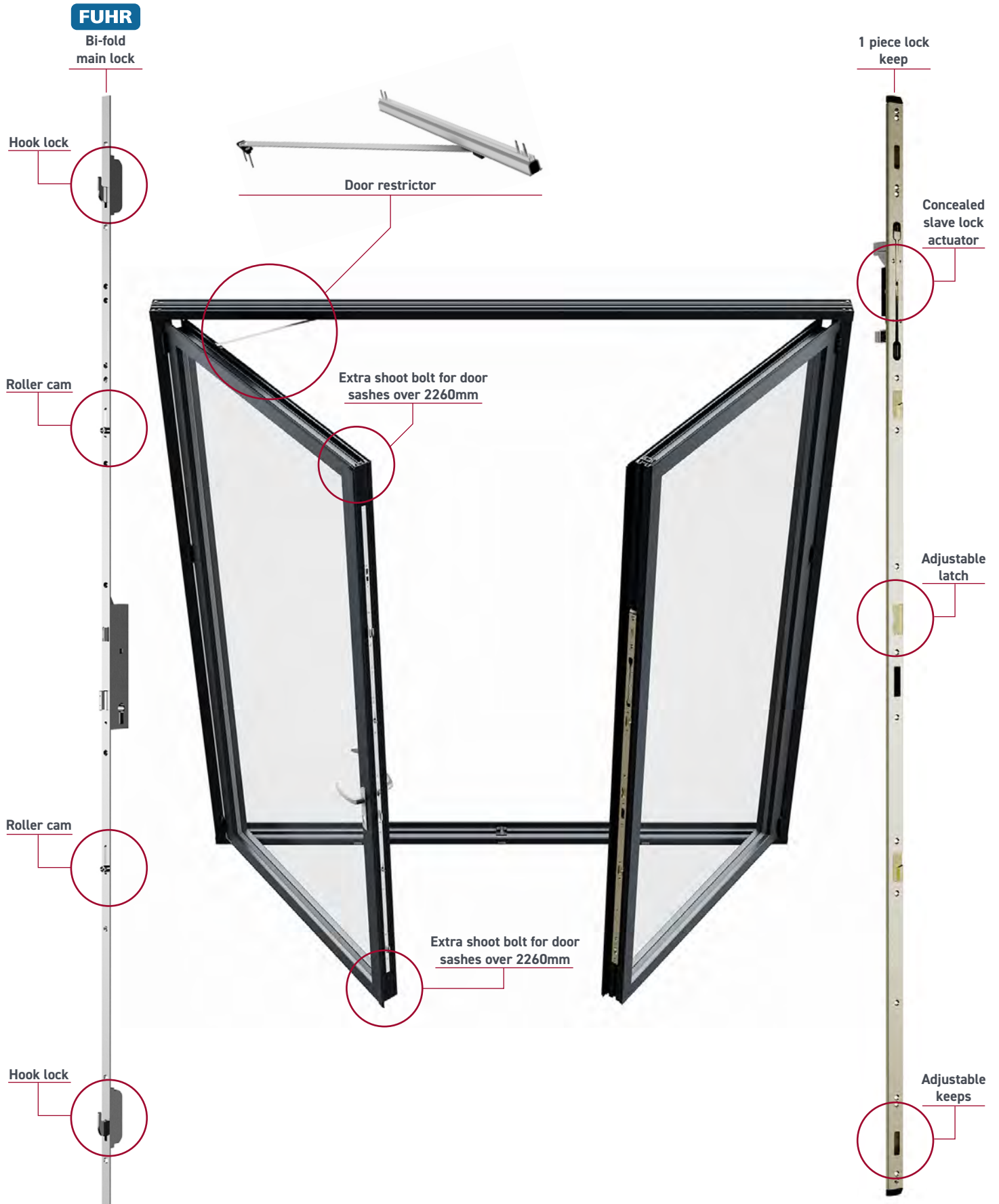
# BI-FOLDING DOOR PROFILE INFORMATION

## Hardware



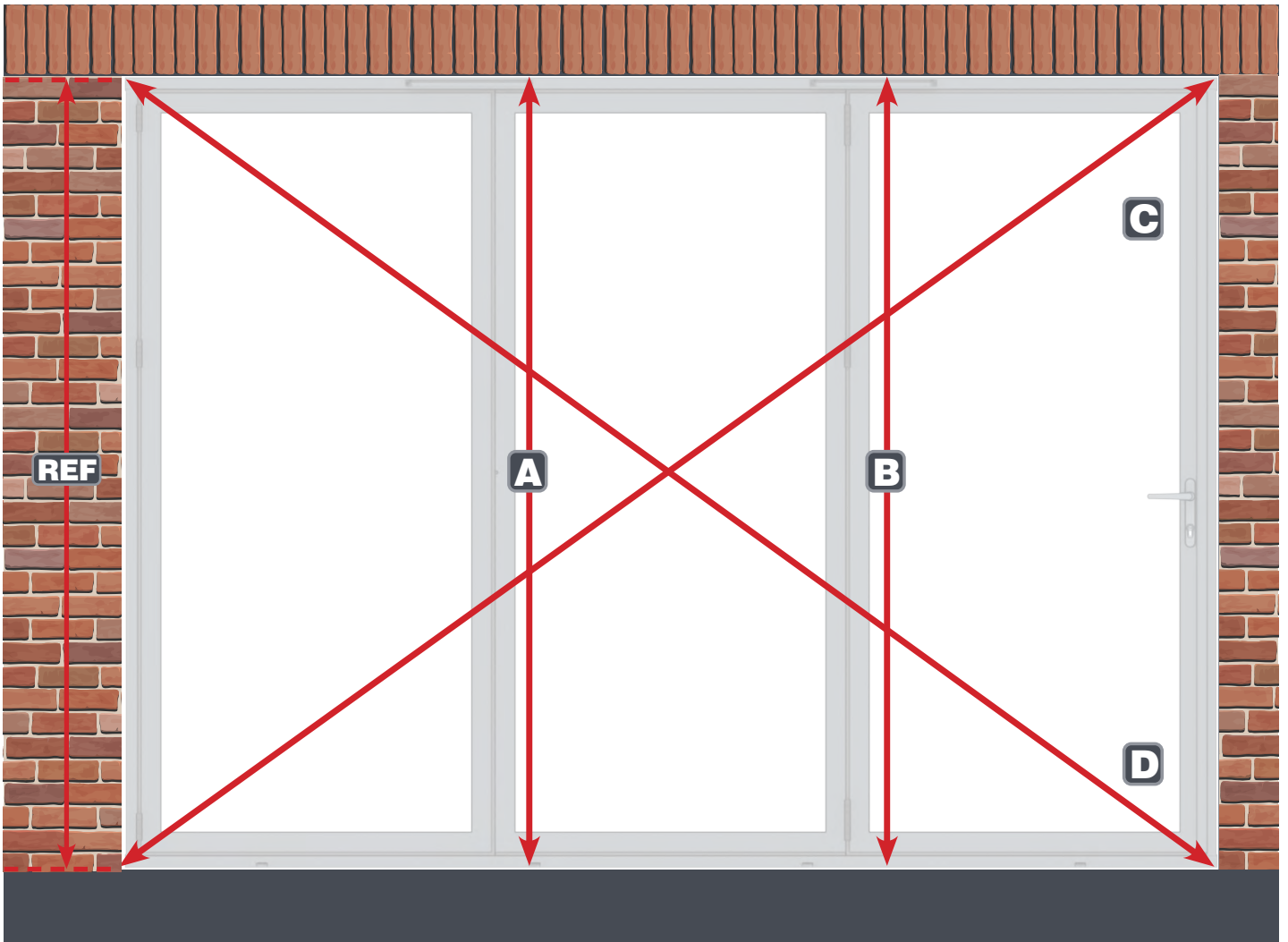


# BI-FOLDING DOOR Hardware



# KORNICHE BI-FOLDING DOOR

## Survey guide



Allow 10mm clearance on height and width, opening must be square observe above checking dimensions.

REF=A=B ± 1mm  
C=D ± 1mm

## Warranty

### 10 year manufacturer's guarantee

Korniche products are engineered to ensure the highest quality in the market. Good engineering in itself is a guarantee of reliability but for total peace of mind all Korniche products come with a comprehensive 10 year warranty\* against all parts and manufacturing.



### Brand product partner

Part of the brand that delivers the multi-award winning Korniche roof lantern



\*See T&C for details of commercial use and marine environment